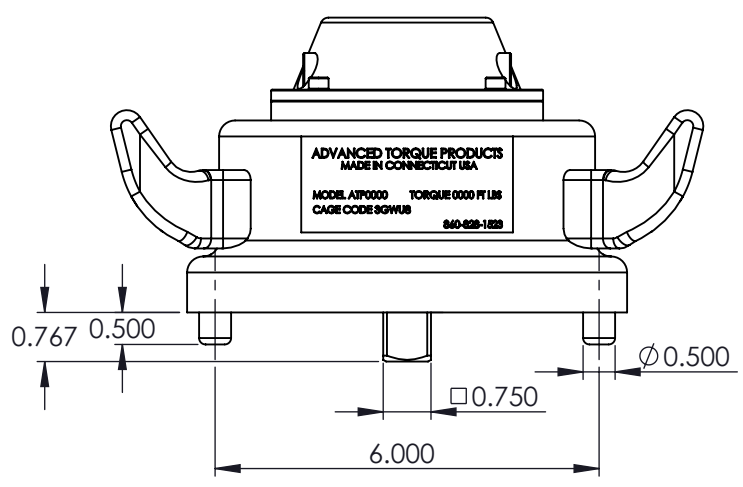
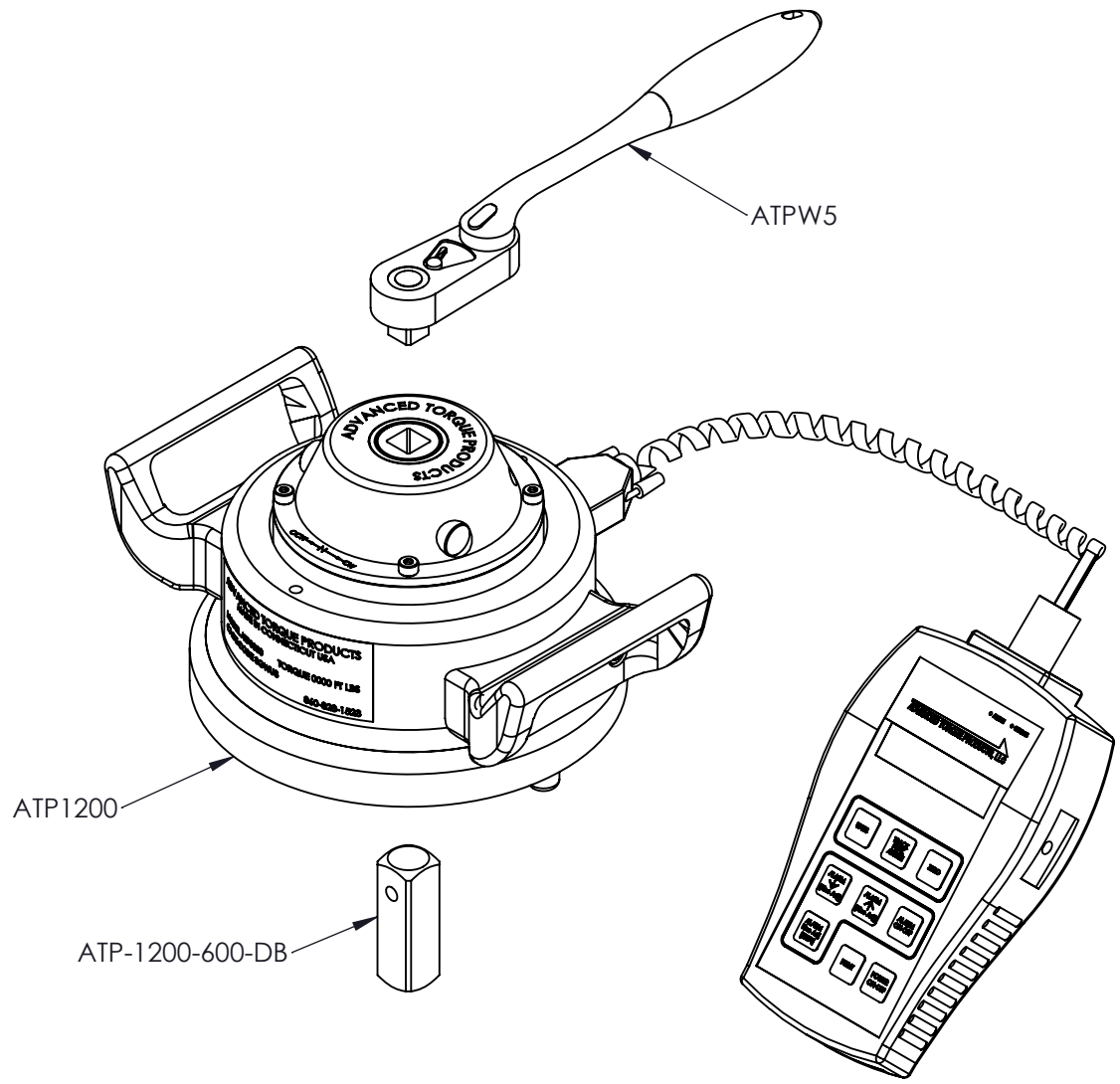


ADVANCED TORQUE PRODUCTS



ITEM NO.	PART NUMBER	DESCRIPTION	QTY.
1	ATP1200	WRENCH ASSEMBLY	1
2	ATPW5	1/2 INPUT WRENCH	1
3	ATP-1200-600-DB	DRIVE BAR ASSEMBLY	1
4	ATP1200-1000	CASE (NOT SHOWN)	1

ALL DIMENSIONS SHOWN IN INCHES

RESTRICTED, CONFIDENTIAL DOCUMENT

THIS DOCUMENT AND ALL THE INFORMATION THEREON IS THE SOLE AND EXCLUSIVE PROPERTY OF ADVANCED TORQUE PRODUCTS (ATP) AND/OR ITS DESIGNATED DISTRIBUTORS. THIS DOCUMENT AND ITS CONTENTS ARE BEING ENTRUSTED CONFIDENTIALLY TO THE RECIPIENT FOR A SPECIFIC, LIMITED PURPOSE AND MAY BE USED ONLY FOR SUCH PURPOSE. BY ACCEPTING THIS DOCUMENT, THE RECIPIENT AGREES TO ENSURE THAT THE DOCUMENT AND ALL INFORMATION THEREON: (1) WILL BE MAINTAINED IN THE STRICTEST CONFIDENCE; (2) WILL NOT BE REPRODUCED, IN WHOLE OR IN PART, IN ANY MANNER WHATSOEVER WITHOUT THE EXPRESS WRITTEN APPROVAL OF ATP; (3) WILL NOT BE DISCLOSED, DIRECTLY OR INDIRECTLY, IN ANY MANNER OR FORM TO ANY THIRD PARTY WITHOUT THE EXPRESS WRITTEN CONSENT OF ATP; AND (4) WILL BE PROMPTLY AND VOLUNTARILY RETURNED, WITH ANY AND ALL COPIES, TO ATP WHEN IT HAS SERVED THE PURPOSE INTENDED, OR AT THE REQUEST OF ATP.

ATP1200 CONFIGURATION

ADVANCED TORQUE PRODUCTS
 56 BUDNEY ROAD
 NEWINGTON, CT 06111
 Tel: 860.828.1523 Fax: 860.828.1163

RATIO: 25:1	FORCE: 1200 FT-LBS
DRN: A. SCALISE	DATE: 07/17/2017
SCALE: 1:3	SIZE: A
MASS: 17.49 LBM	REV: -
CATALOG NO: ATP1200	