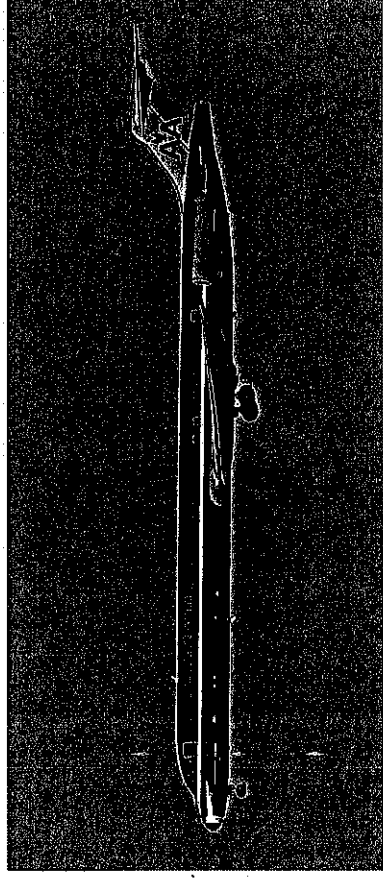




# MD-80 Center Pedestal Floor Light Removal and Replacement Event



# AMM 33-14-20

## FLIGHT COMPARTMENT LIGHTS MAINTENANCE PRACTICES

### 1. General

A. Various types of lamps and lamp fixtures are used for illumination of the flight compartment. Lamp replacement can be accomplished by opening the fixture or removing the lens cover. New lamps should be checked by placing the appropriate switch in the on position, to verify proper lamp operation.

### 2. REMOVAL/INSTALLATION FLIGHT COMPARTMENT FLOOR LIGHTS

#### A. Remove Lights

**WARNING:** TAG AND USE SAFETY CLIPS TO SAFETY THE CIRCUIT BREAKERS. IF THE CIRCUIT BREAKERS ARE NOT OPENED, TAGGED, AND SAFETIED, AND SAFTIED, INJURY TO PERSONS AND DAMAGE TO EQUIPMENT CAN OCCUR.

- (1) Open and tag the following circuit breakers applicable to light being removed:  
Open these circuit breakers and install safety tags:  
FLR LGTS 1/2  
PED PWR
- (2) Verify green lights for FLR LGTS 1/2 and PED PWR are off.
- (3) Verify master switch is in the off position.
- (4) Remove observers folding footrest. (Figure 1)

FOR TRAINING PURPOSES ONLY

## AMM 33-14-20

- (5) Remove APU hour meter panel<sup>(900)</sup>. (Figure 2)  
**NOTE:** FASTENERS FOR APU HOUR METER PANEL AND SIDE LINING ACCESS COVERS ARE QUARTER TURN FASTENERS. IMPROPER LOOSENING AND TIGHTENING OF FASTENERS CAN CAUSE DAMAGE TO FASTENERS AND/OR SIDE LINING.
- (6) Remove pedestal side lining access cover <sup>(875)</sup> to gain access to floor light assembly. (Figure 2)
- (7) Remove lens <sup>(100)</sup> and light bulb from light assembly. (Figure 3)
- (8) Slide boot cover <sup>(60)</sup> back and disconnect electrical connector <sup>(93)</sup> from light assembly. (Figure 3)
- (9) Remove securing nut <sup>(85)</sup> and clip retainer<sup>(90)</sup> from light assembly. (Figure 3)
- (10) Remove light assembly from attachment bracket <sup>(95)</sup>. (Figure 3)
- (11) Discard lamp holder <sup>(105)</sup> and housing <sup>(110)</sup>. (Figure 3)

FOR TRAINING PURPOSES ONLY

## AMM 33-14-20

### B. Install Lights

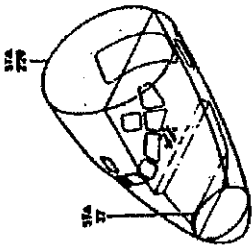
**WARNING:** TAG AND USE SAFETY CLIPS TO SAFETY THE CIRCUIT BREAKERS. IF THE CIRCUIT BREAKERS ARE NOT OPENED, TAGGED, AND SAFETIED, AND SAFTIED, INJURY TO PERSONS AND DAMAGE TO EQUIPMENT CAN OCCUR.

- (1) Make sure that these circuit breakers are open and have safety tags:  
FLR LGHTS 1/2  
PED PWR
- (2) Install new lamp holder<sup>(105)</sup> and housing<sup>(110)</sup> onto bracket assembly<sup>(95)</sup>. (Figure 3)
- (3) Attach securing nut<sup>(85)</sup> and clip retainer<sup>(90)</sup> to light assembly. (Figure 3)
- (4) Reconnect electrical connector<sup>(93)</sup> to light assembly and slide boot cover<sup>(60)</sup> over connector<sup>(93)</sup>. (Figure 3)
- (5) Install light bulb and lens cover<sup>(100)</sup> on light assembly. (Figure 3)
- (6) Remove the safety tags and close these circuit breakers:  
FLR LIGHTS 1/2  
PED PWR
- (7) Place master switch to on position and verify proper operation of floor light.

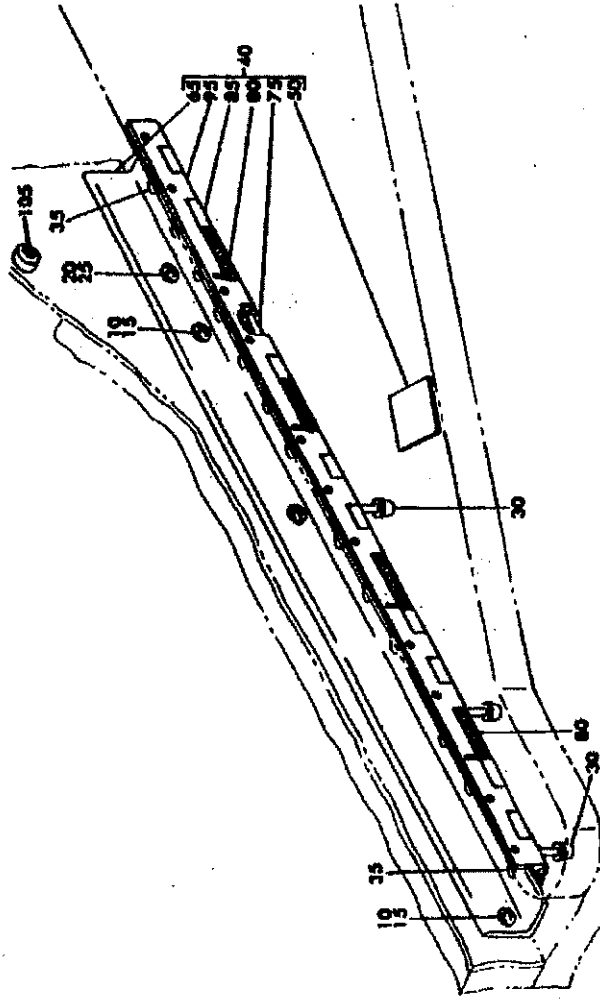
FOR TRAINING PURPOSES ONLY

## AMM 33-14-20

- (8) Verify green lights for FLR LGTS 1/2 AND PED PWR are on.
- (9) Place master switch to off position.
- (10) Install pedestal side lining access cover<sup>(875)</sup> onto pedestal. (Figure 2)  
**NOTE:** FASTENERS FOR APU HOUR METER PANEL AND SIDE LINING ACCESS COVERS ARE QUARTER TURN FASTENERS. IMPROPER LOOSENING AND TIGHTENING OF FASTENERS CAN CAUSE DAMAGE TO FASTENERS AND/OR SIDE LINING.
- (11) Install APU hour meter panel<sup>(900)</sup>. (Figure 2)
- (12) Install observers folding footrest. (Figure 1)
- (13) Return all tools and equipment back to designated area.



AMM 33-14-20

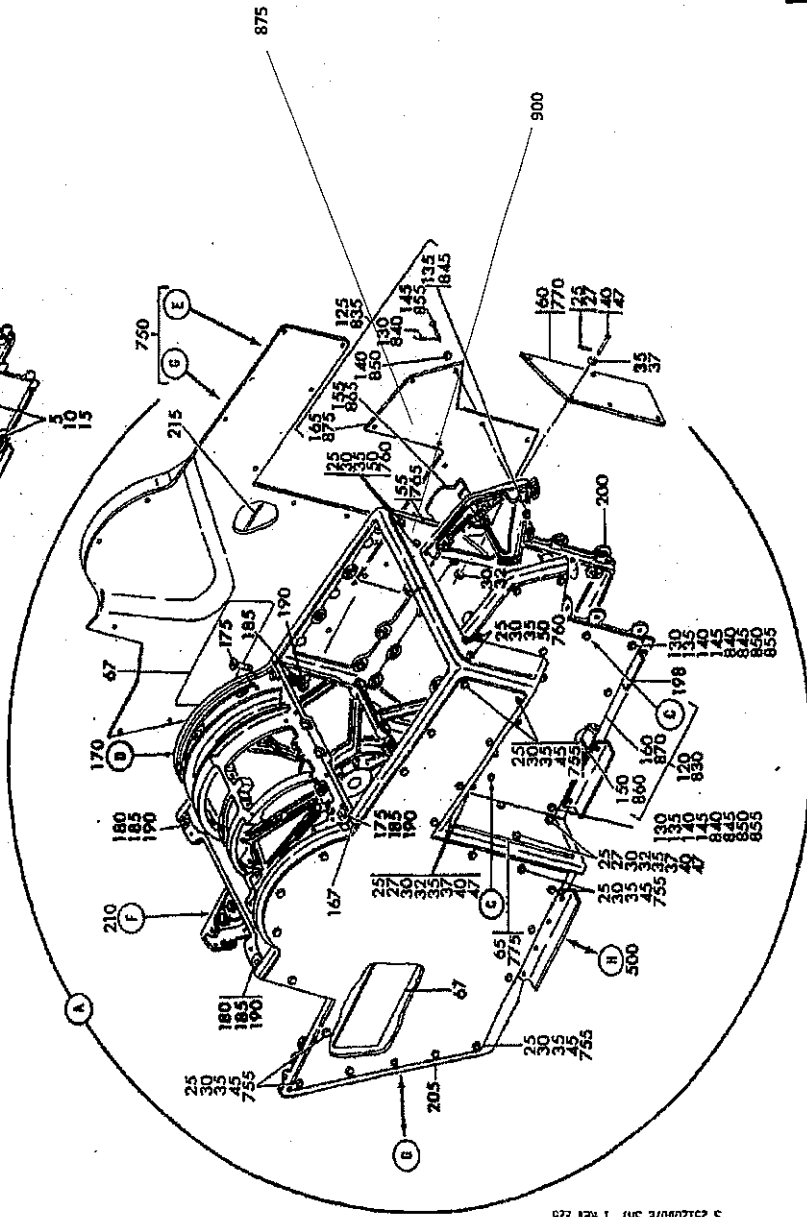
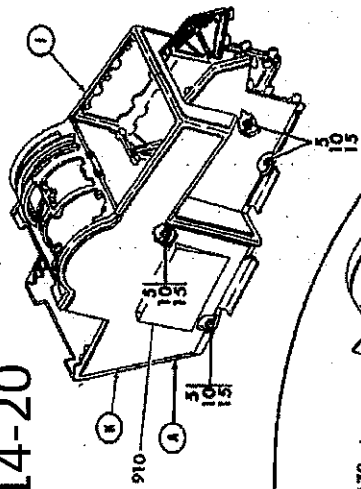
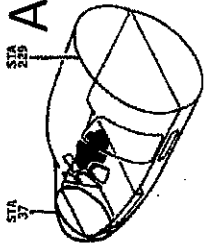


OBSERVERS FOLDING FOOTREST

FOR TRAINING PURPOSES ONLY

FIGURE 1

# AMM 33-14-20



5 2512007E SHF 1 REV 226

## FIGURE 2

FOR TRAINING PURPOSES ONLY

# AMM 33-14-20

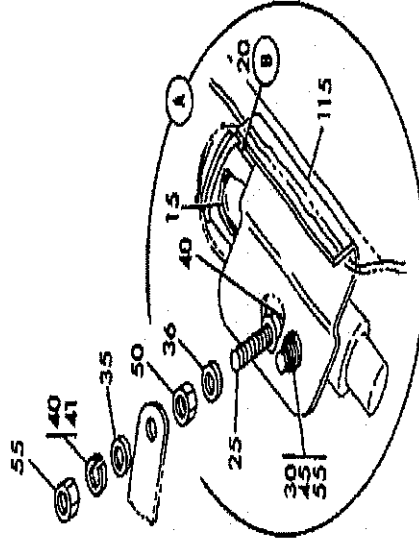
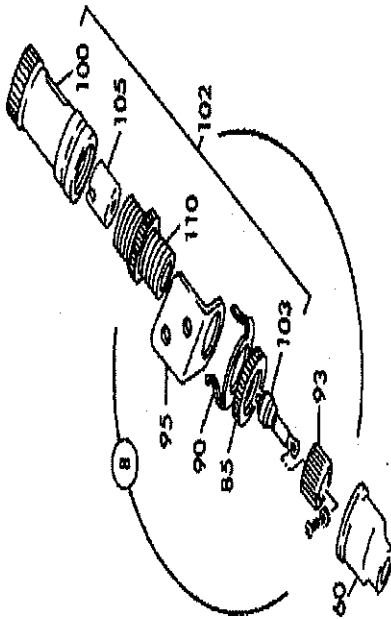
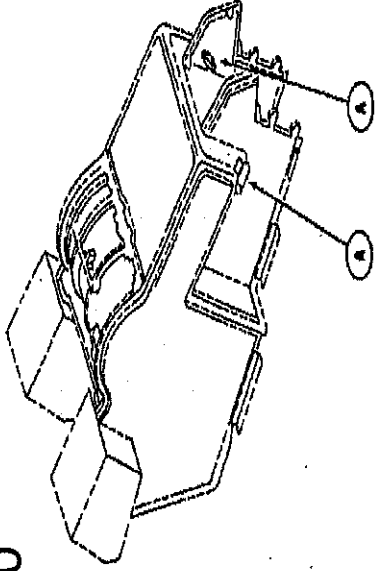
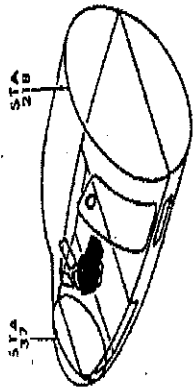


FIGURE 3

FOR TRAINING PURPOSES ONLY